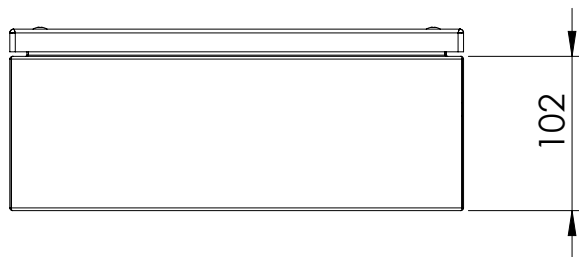
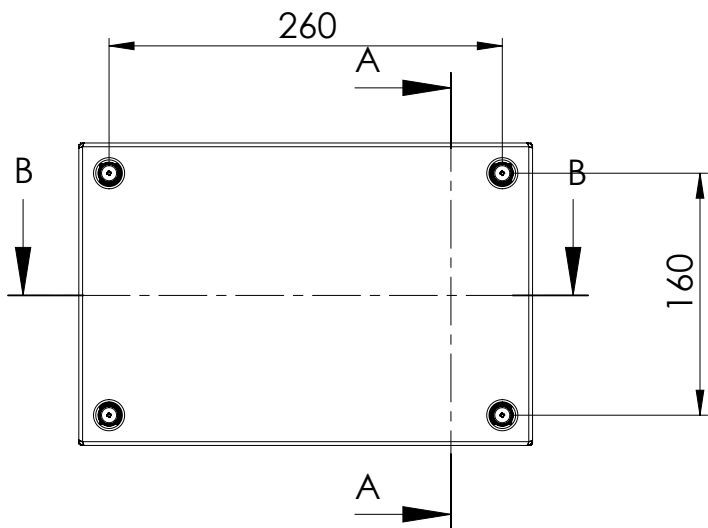


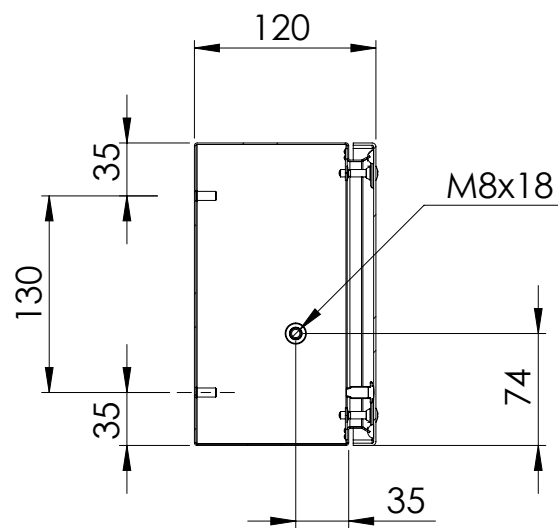
Bottom view



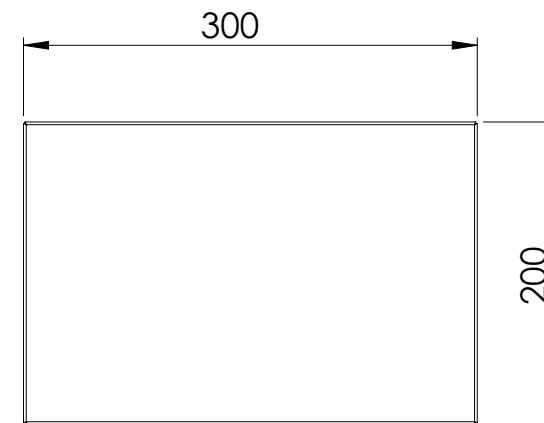
Front view



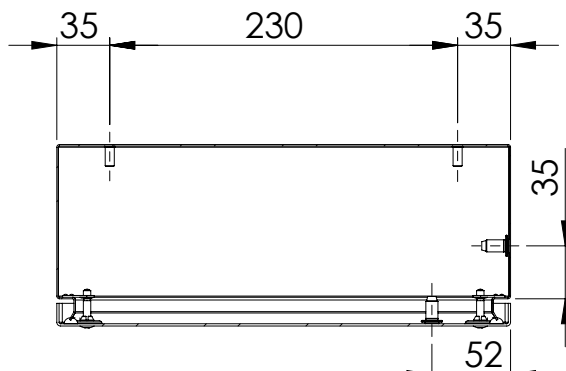
Sectional side view



Rear view



Sectional top view



Section A-A

Drawn by : bvgрма	Date: 25-01-2013	Finish : 240s Pre grained Stainless steel	SCALE:1:5	General tolerances according to Norm ISO 2768-1		
Checked by : mderpu	Date : 25-01-2013					
Revision : 01				Fine	Medium	Coarse
		Stainless steel terminal box		Reference number : SSTB203012 SSTB203012-316		
		200 mm x 300 mm x 120 mm				
				A4		
				Page 1/1		