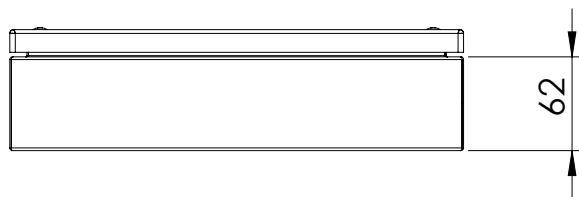
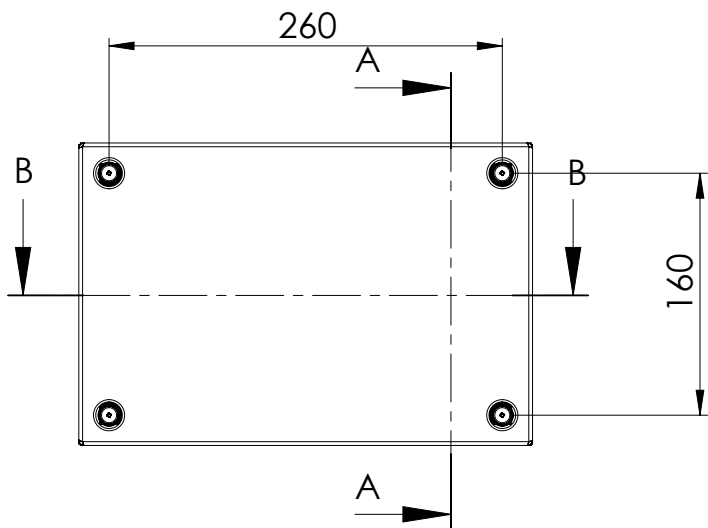


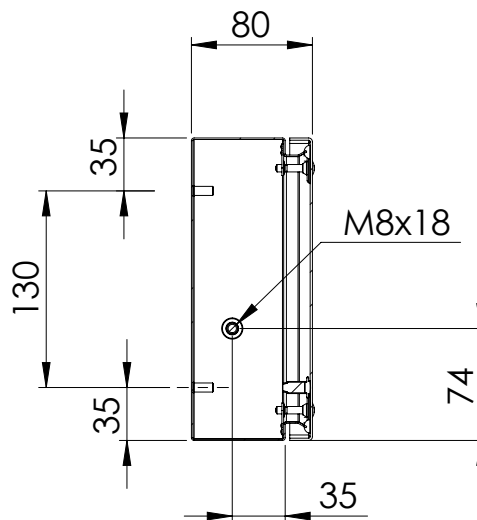
Bottom view



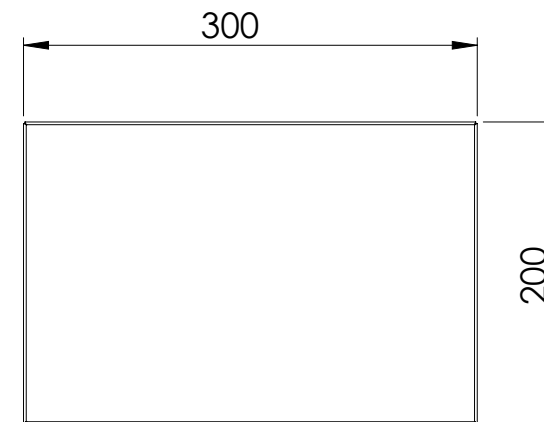
Front view



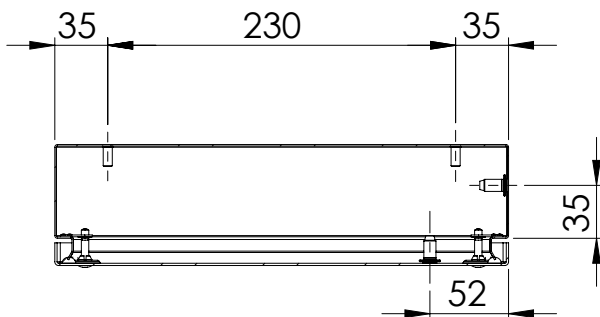
Sectional side view



Rear view



Sectional top view



Section A-A

Section B-B

| | | | | | | |
|---------------------|-------------------|---|-----------|---|--------|--------|
| Drawn by : bvgрма | Date: 25-01-2013 | Finish : 240s Pre grained Stainless steel | SCALE:1:5 | General tolerances according to Norm ISO 2768-1 | | |
| Checked by : mderpu | Date : 25-01-2013 | | | | | |
| Revision : 01 | | | | Fine | Medium | Coarse |
| | | Stainless steel terminal box | | Reference number : | | |
| | | 200 mm x 300 mm x 80 mm | | SSTB203008 SSTB203008-316 | | |
| | | | | Page 1/1 | | |

A4