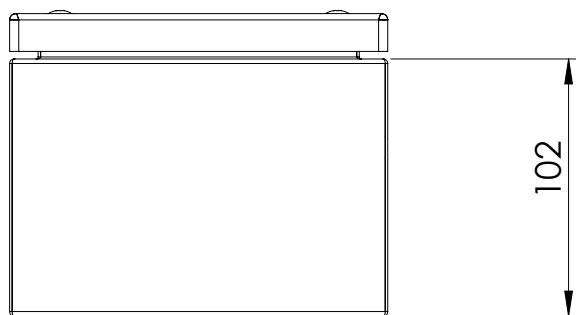
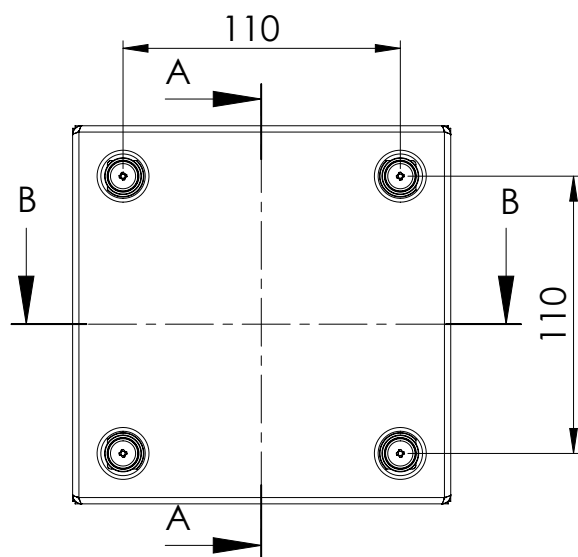


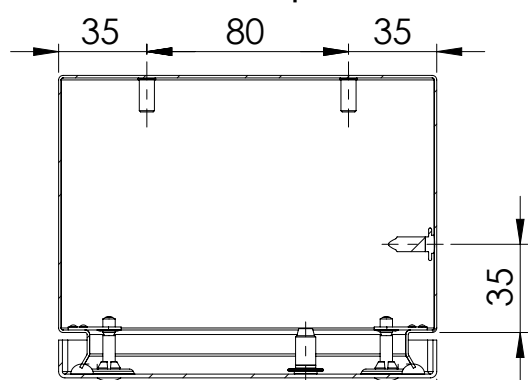
Bottom view



Front view

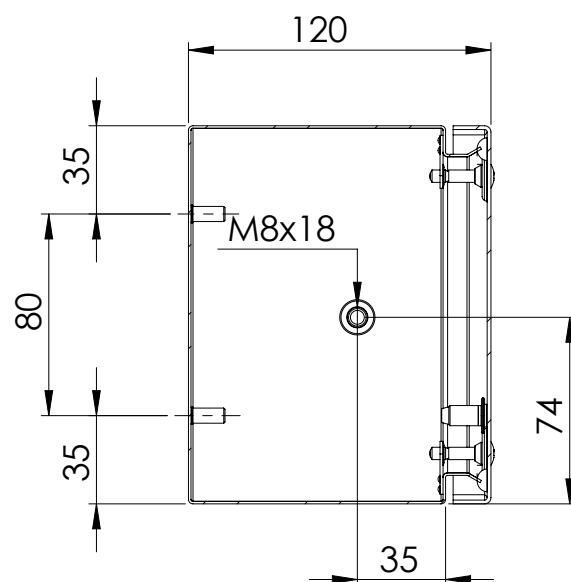


Sectional top view



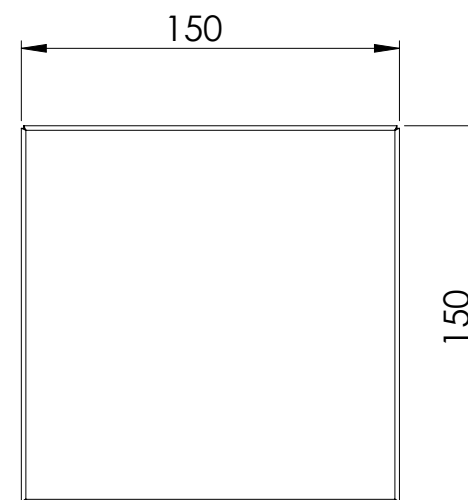
Section B-B

Sectional side view



Section A-A

Rear view



Drawn by : bvgрма	Date: 25-01-2013	Finish : 240s Pre grained Stainless steel	SCALE:1:3	General tolerances according to Norm ISO 2768-1		
Checked by : mderpu	Date : 25-01-2013					
Revision : 01				Fine	Medium	Coarse
		Stainless steel terminal box		Reference number :		
		150 mm x 150 mm x 120 mm		SSTB151512 SSTB151512-316		A4
				Page 1/1		