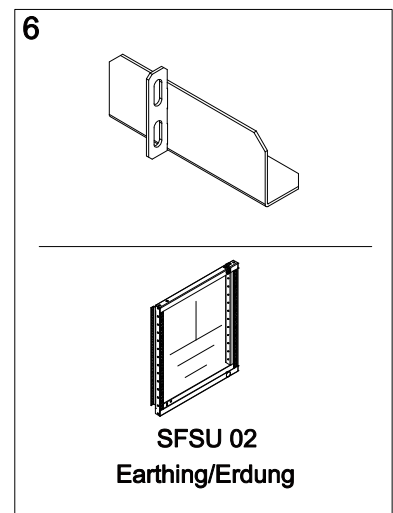
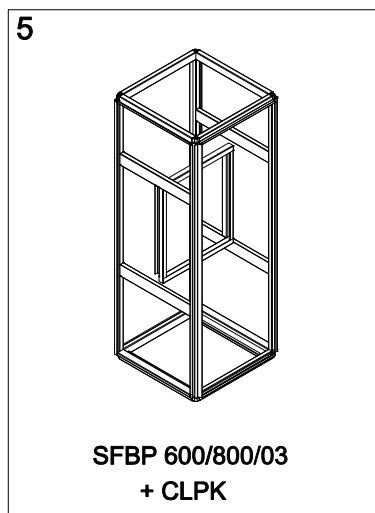
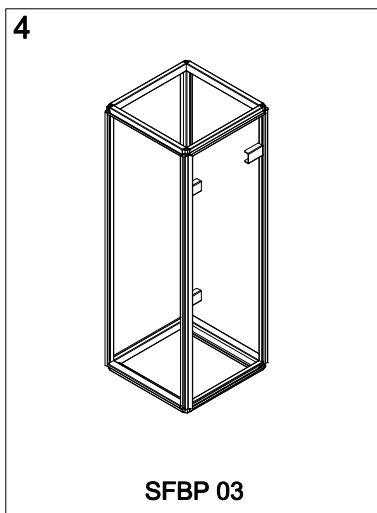
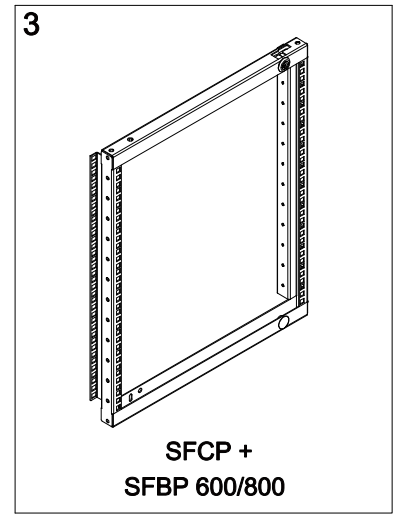
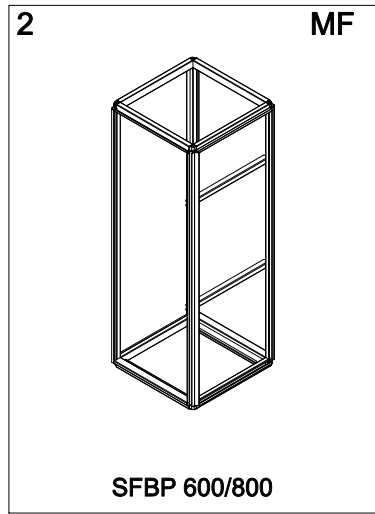
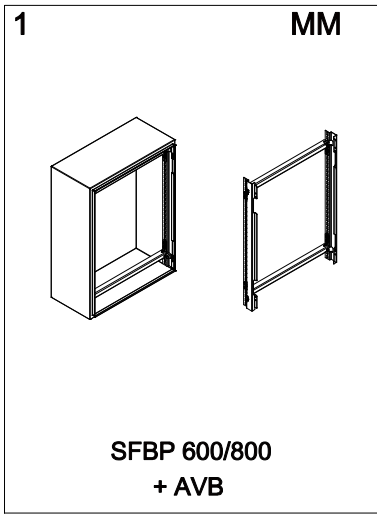


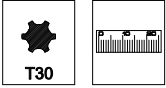
# Mounting Instructions Partial Height Swingframe

7697-0332-01 Rev.3

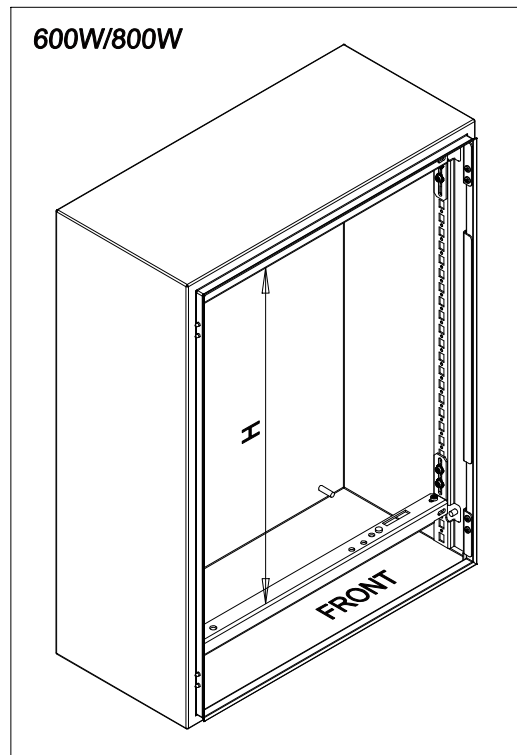
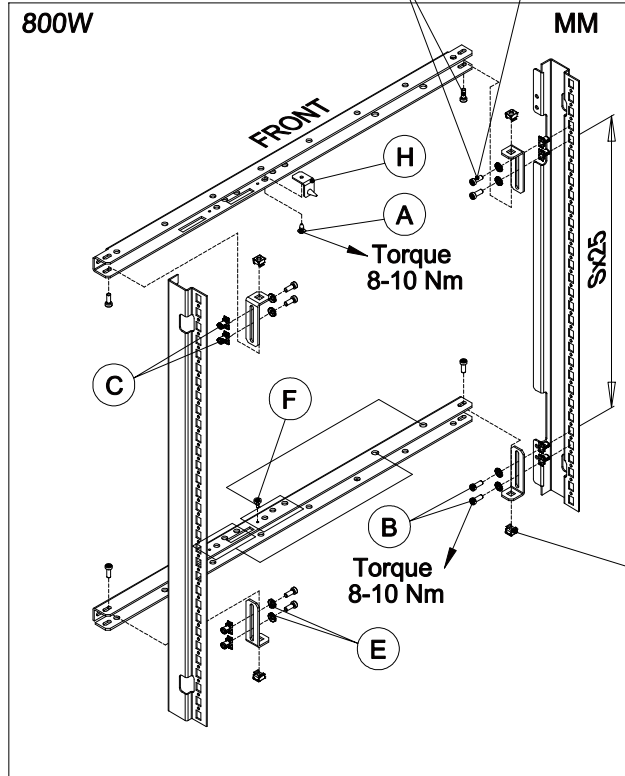
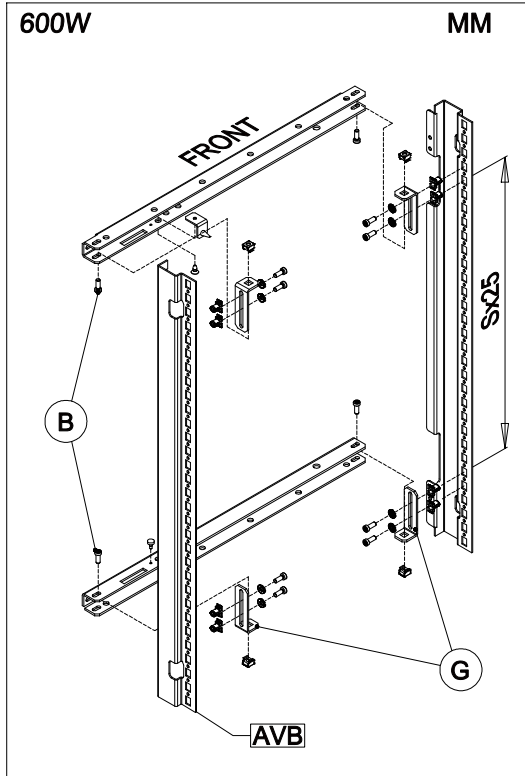




# SFBP 600/800 + AVB

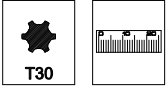


Ref.	Pic.	Qty.
A		1
B		12
C		8
D		4
E		8
F		1
G		4
H		1

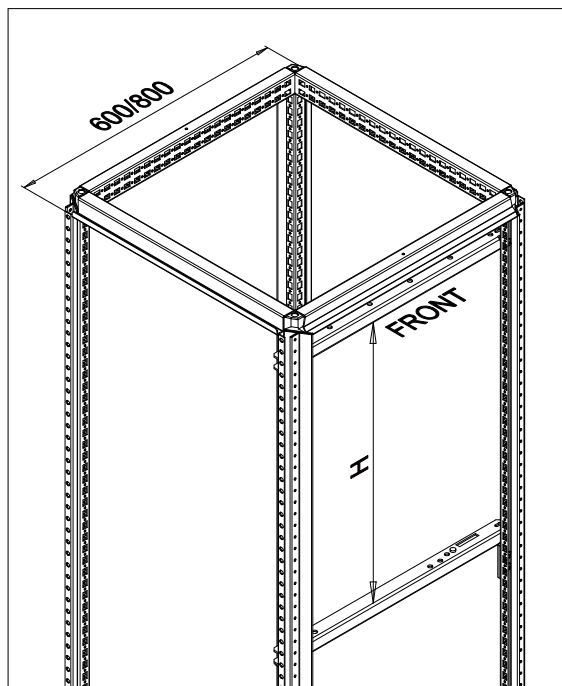
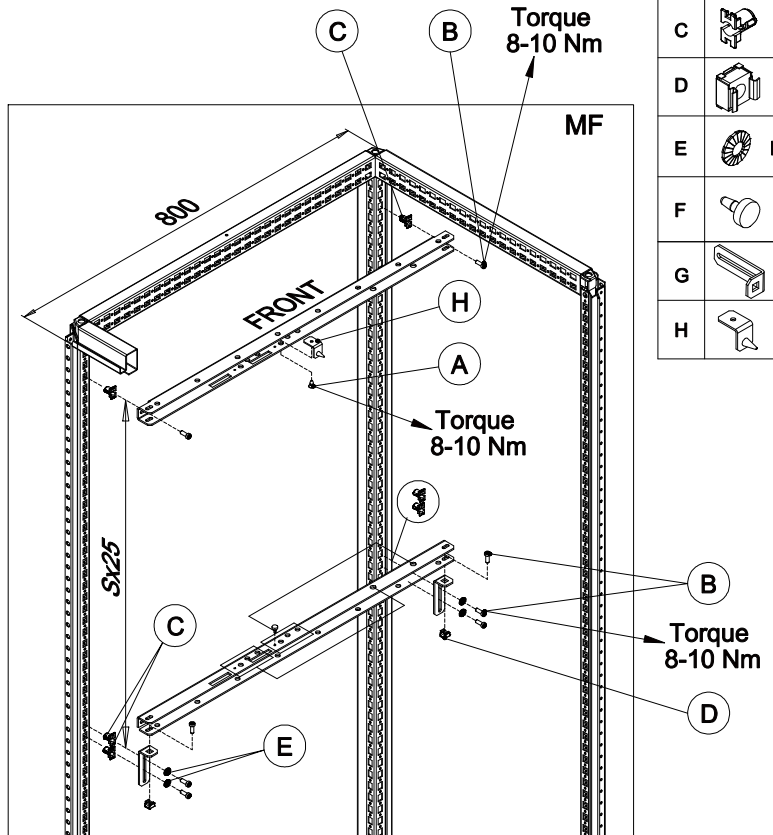
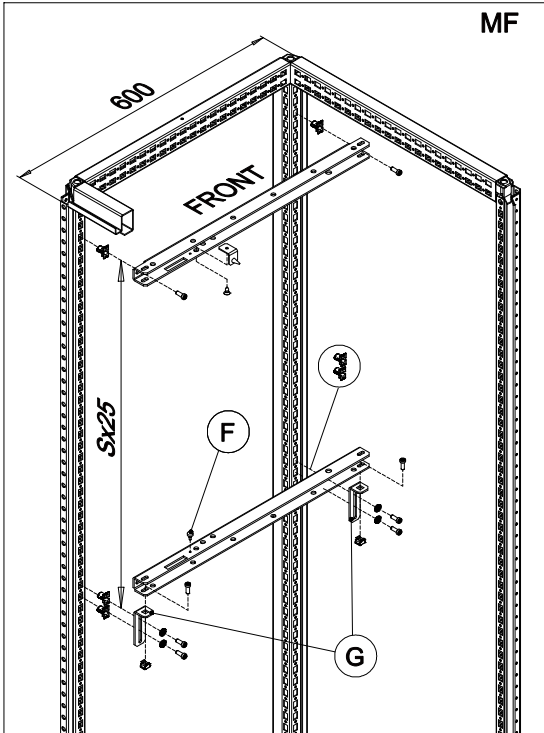


19" Units	H	S
3	206.5	4
6	340	10
10	517.5	17
12	606.5	20
15	740	26
19	917.5	33
24	1140	42

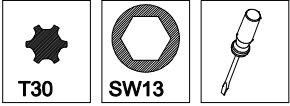
# SFBP 600/800



Ref.	Pic.	Qty.
A		1
B		8
C		6
D		2
E		4
F		1
G		2
H		1

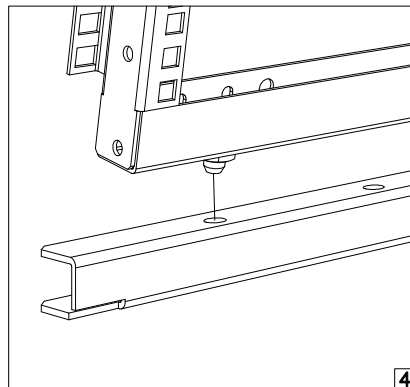
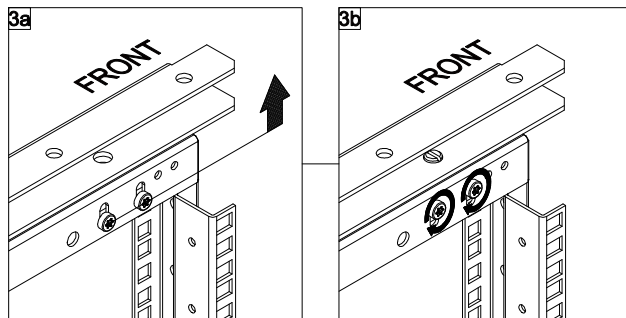
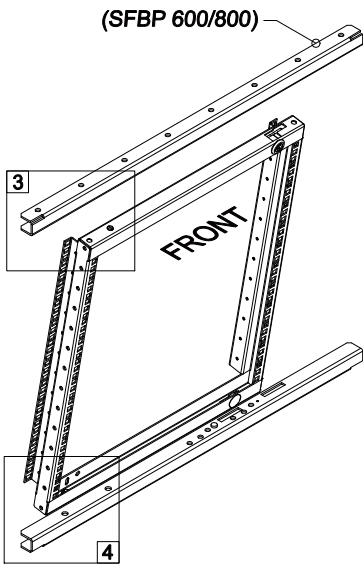
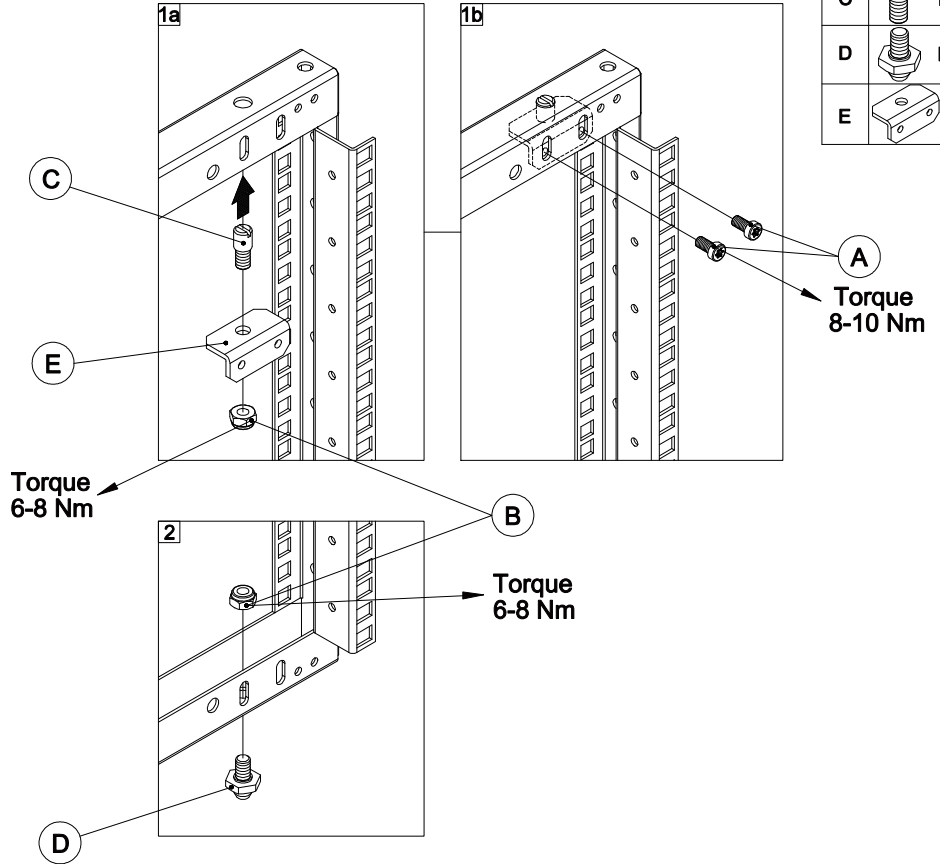
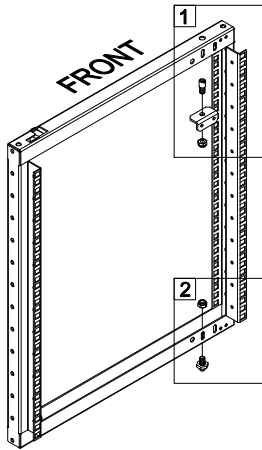


19" Units	H	S
3	206.5	11
6	340	16
10	517.5	23
12	606.5	27
15	740	32
19	917.5	39
24	1140	48



# SFCP SFBP 600/800

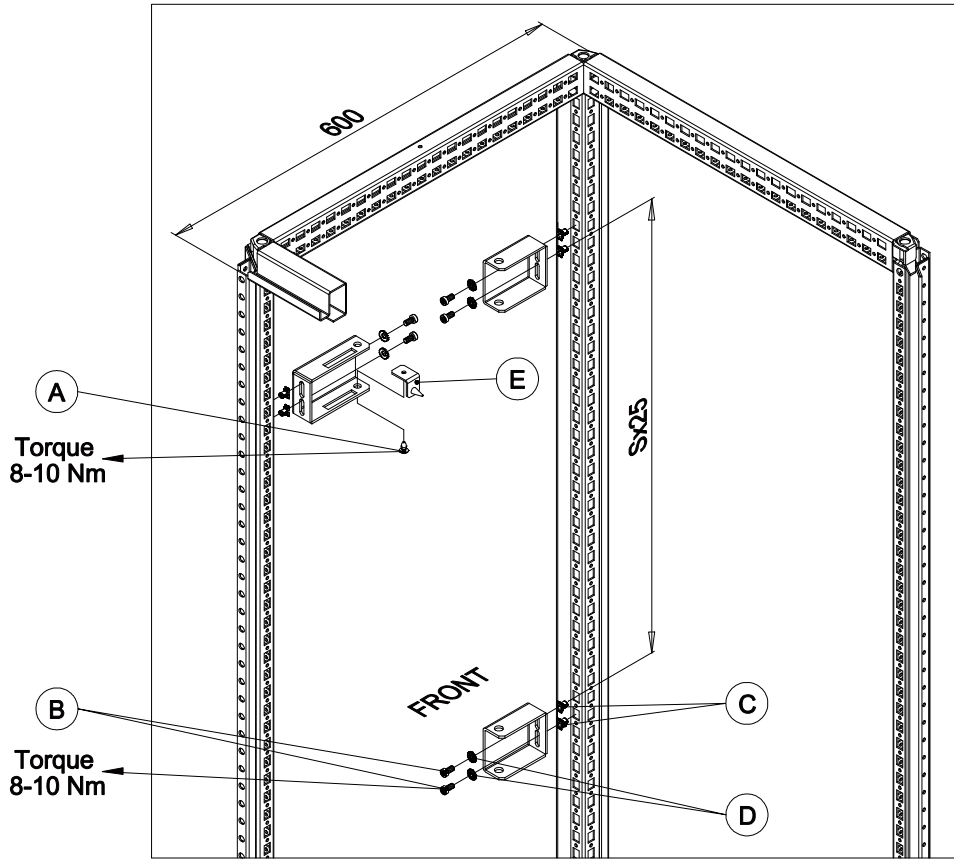
Ref.	Pic.	Qty.
A		2
B		2
C		1
D		1
E		1



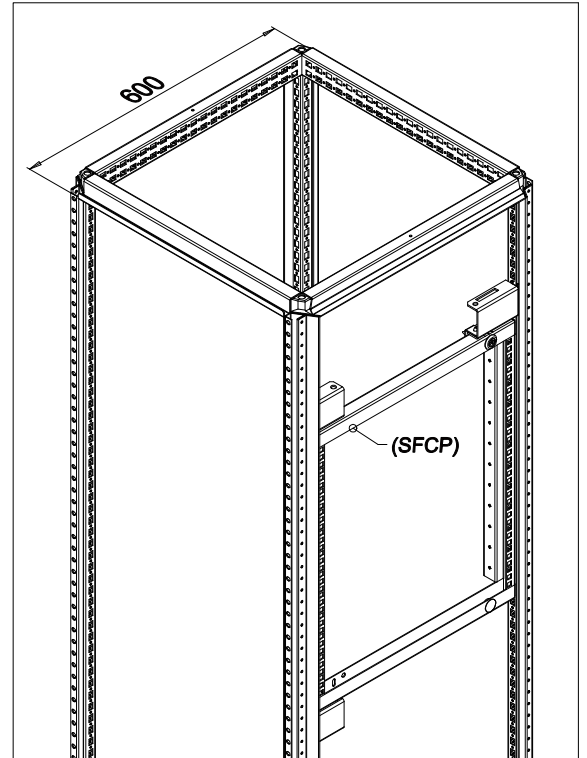
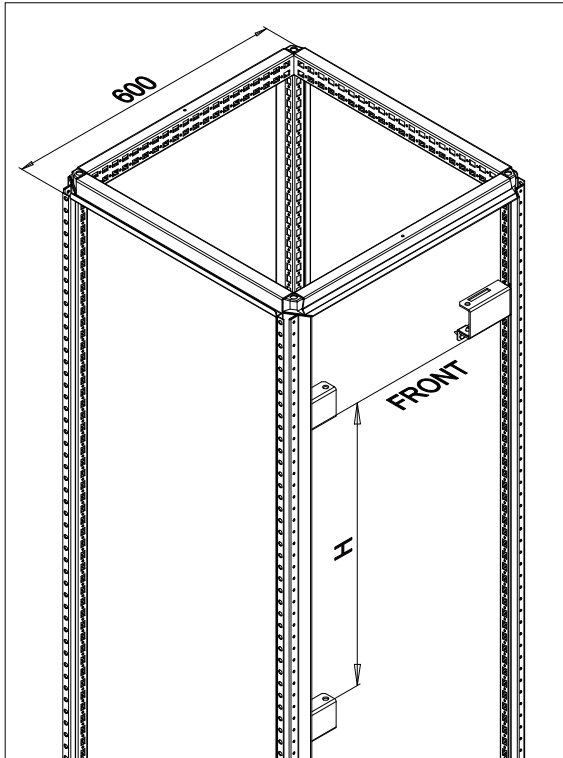


# SFBP 03

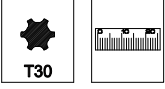
Ref.	Pic.	Qty.
A		1
B		6
C		6
D		6
E		1



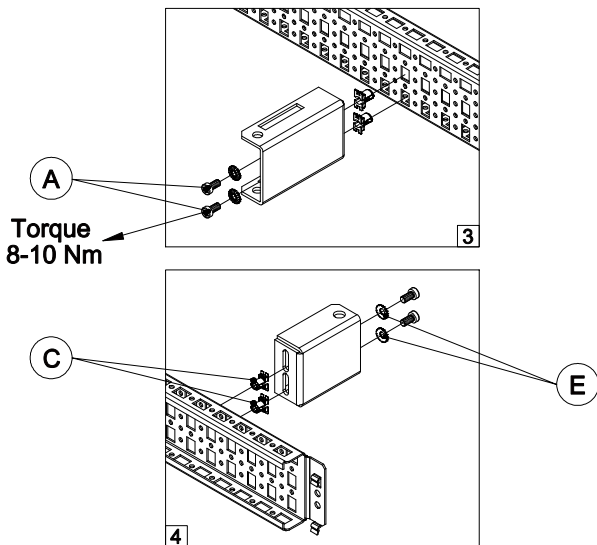
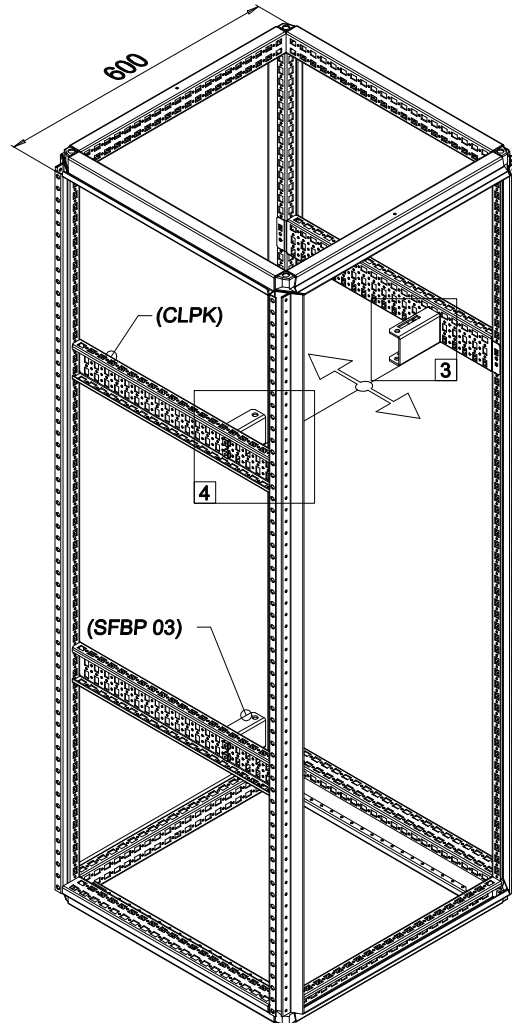
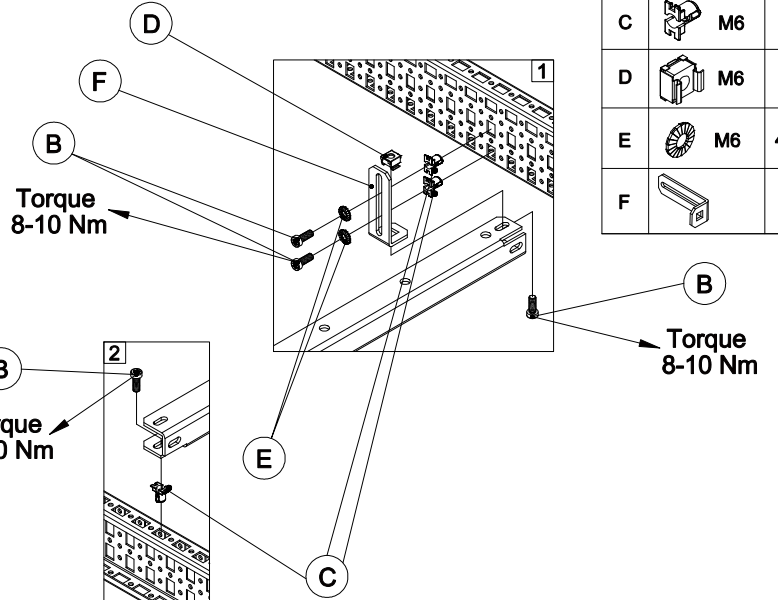
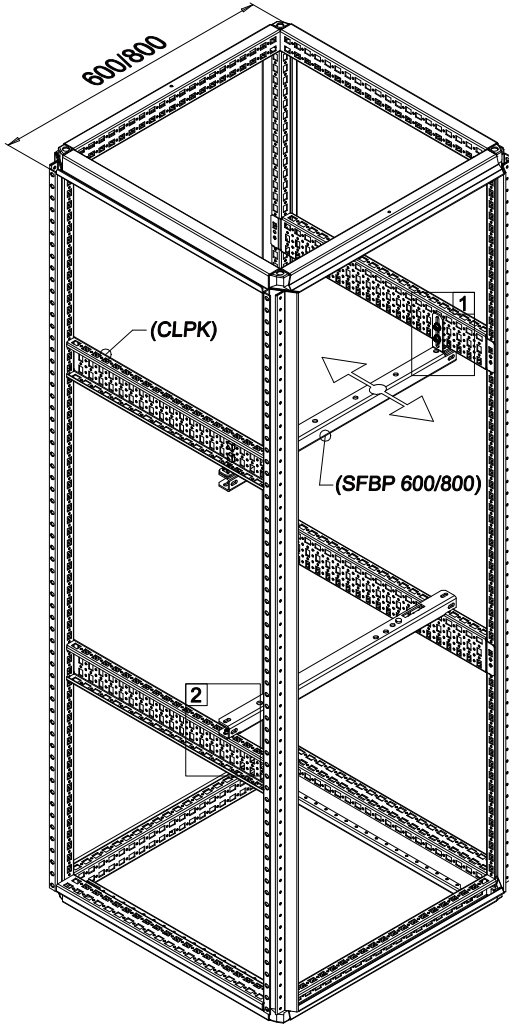
19" Units	H	S
3	206.5	10
6	340	15
10	517.5	22
12	606.5	26
15	740	31
19	917.5	38
24	1140	47



# SFBP 600/800/03 CLPK



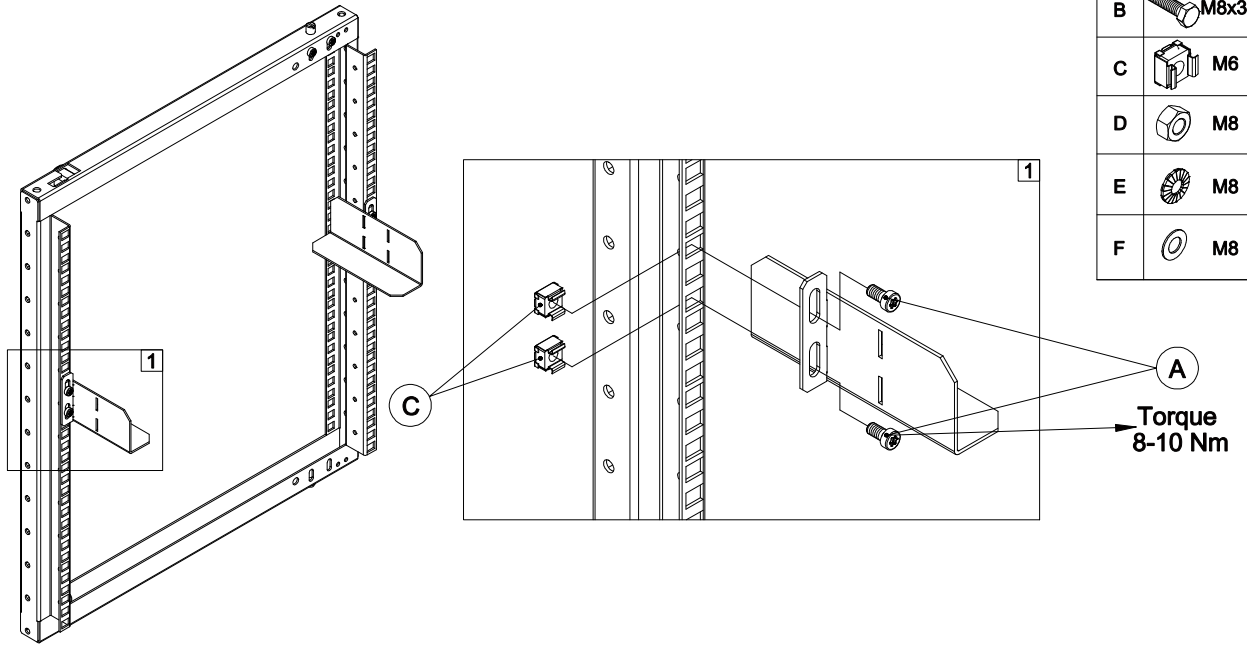
Ref.	Pic.	Qty.
A		6
B		8
C		6
D		2
E		4/6
F		2





## SFSU 02

Ref.	Pic.	Qty.
A		4
B		1
C		4
D		2
E		1
F		2



## Earthing

