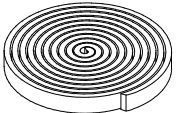
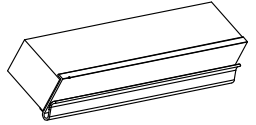

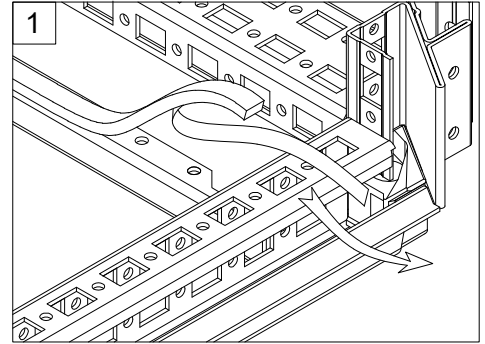
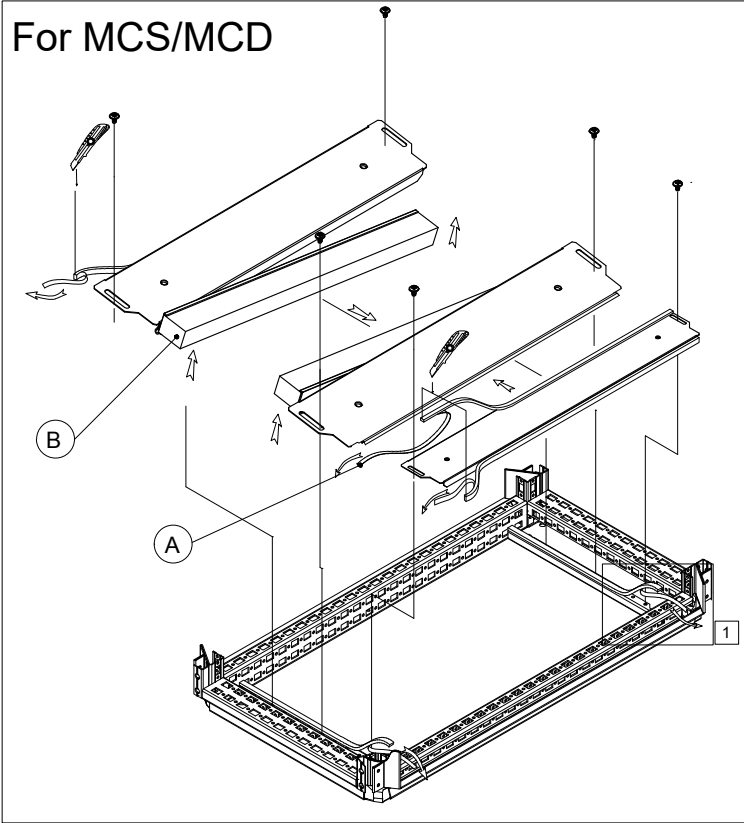




SCE

Ref.	Pic.	Qty.
A	 4,5x8	6m
B		2 pcs
C		4 pcs

For MCS/MCD



For MKS/MKD

