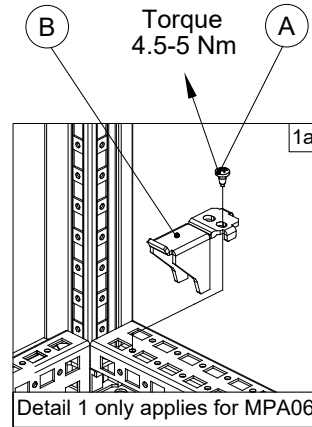
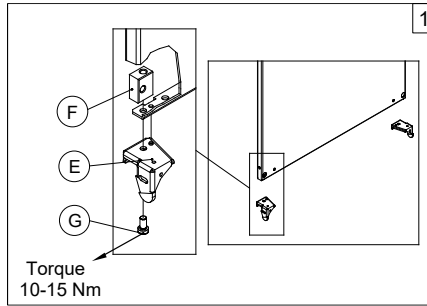
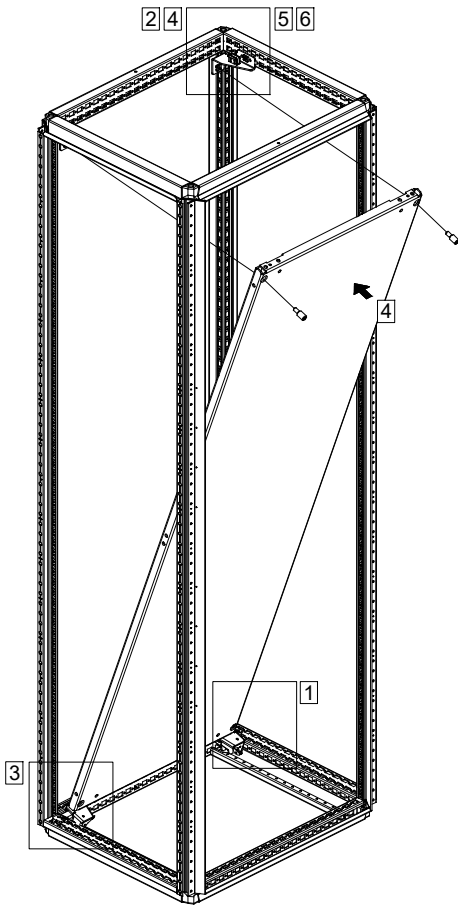


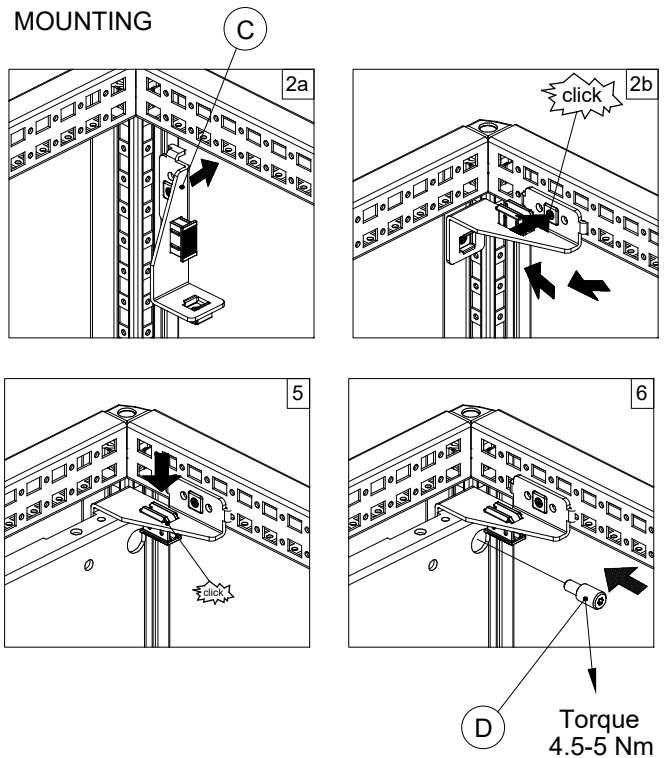


MPA06/MPA04

| Ref. | Pic. | Qty. |
|------|------|------|
| A | | 2 |
| B | | 2 |
| C | | 2 |
| D | | 2 |
| E | | 2 |
| F | | 2 |
| G | | 2 |



MOUNTING



UNMOUNTING

