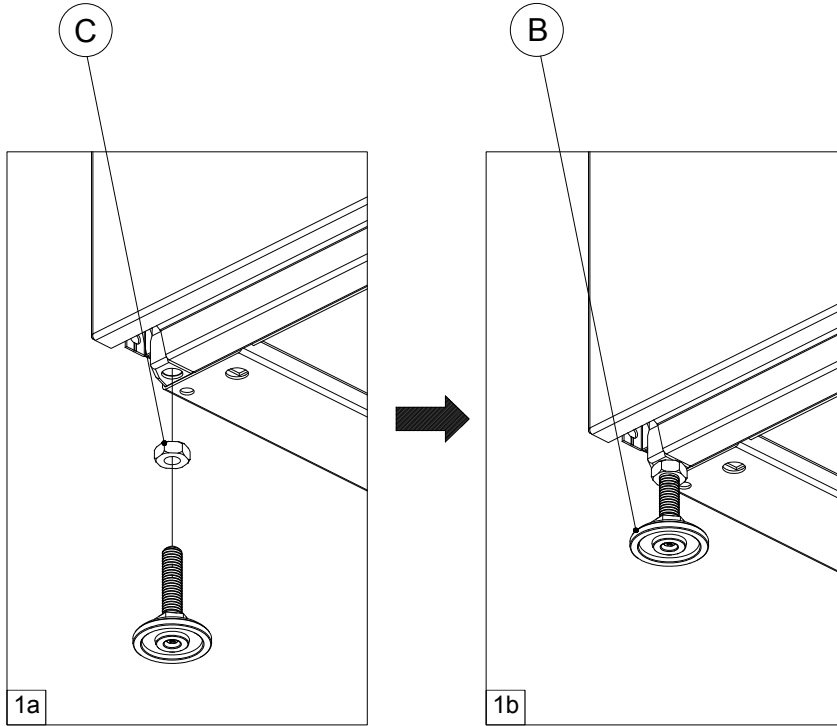




LF

### 1. Frame mounting



Ref.	Pic.	Qty.
A	M12x20	4
B	M12x50	4
C	M12	8
D	M12	4
E	4	

### 2. With PF/PS

