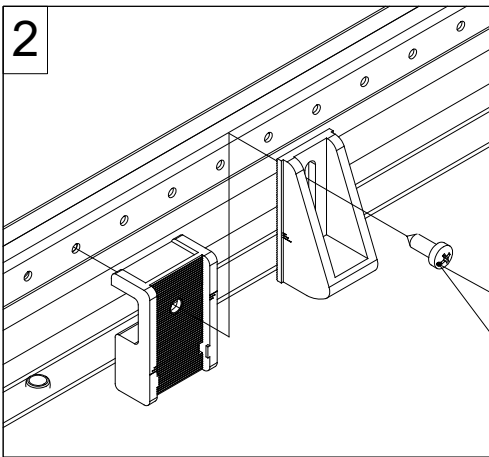
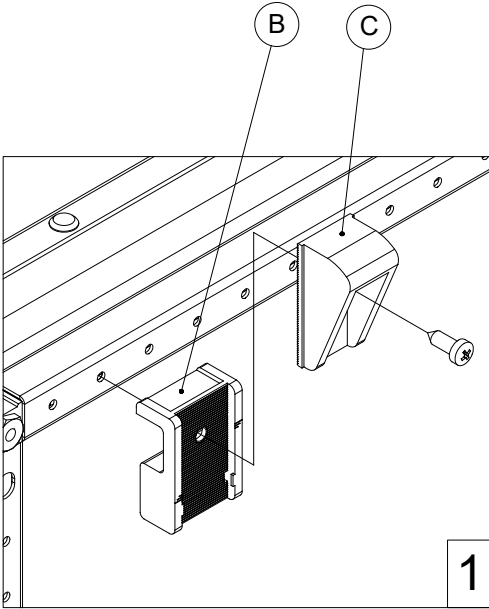


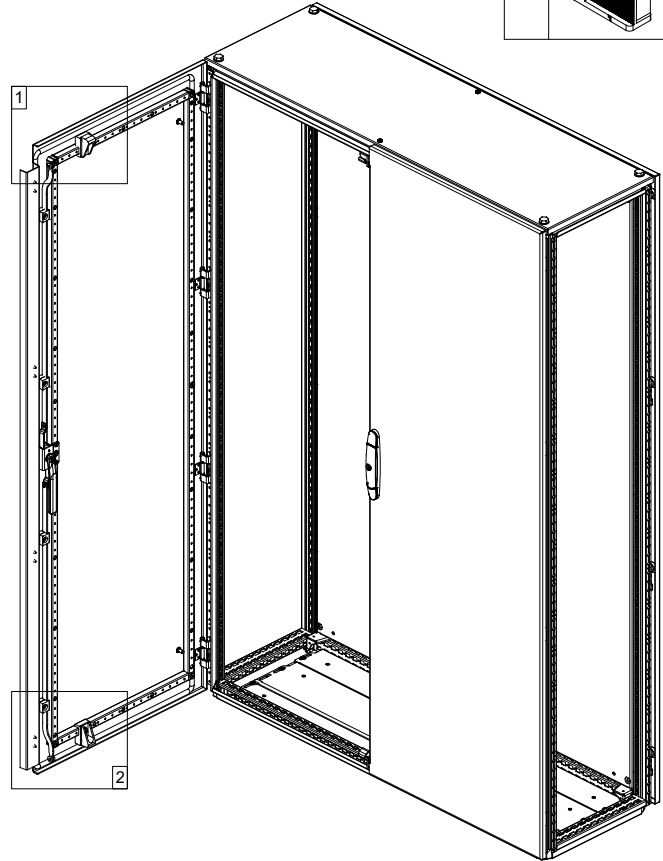


# DPSL

Ref.	Pic.	Qty.
A		2
B		2
C		2

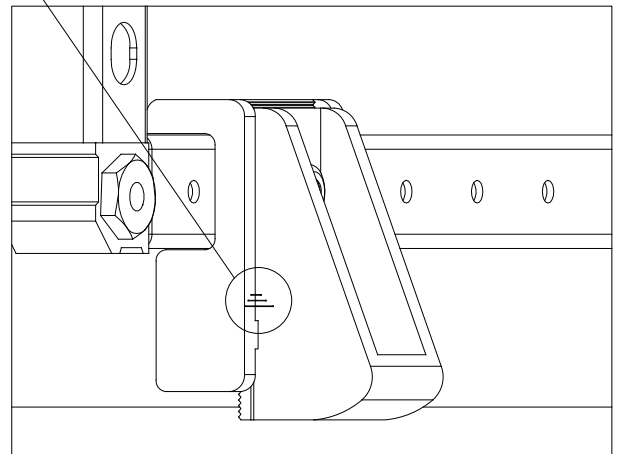
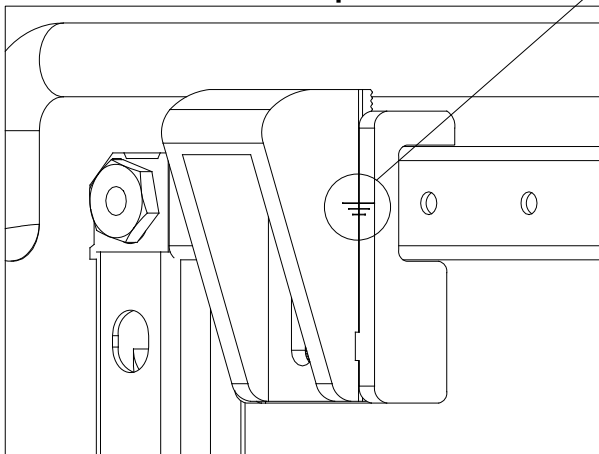


Torque  
2-2,5 Nm



Top

Bottom



(!) The markings are set for nominal values, however, the DPSL can be adjusted as needed.