

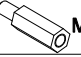




T30



SW19

CVK

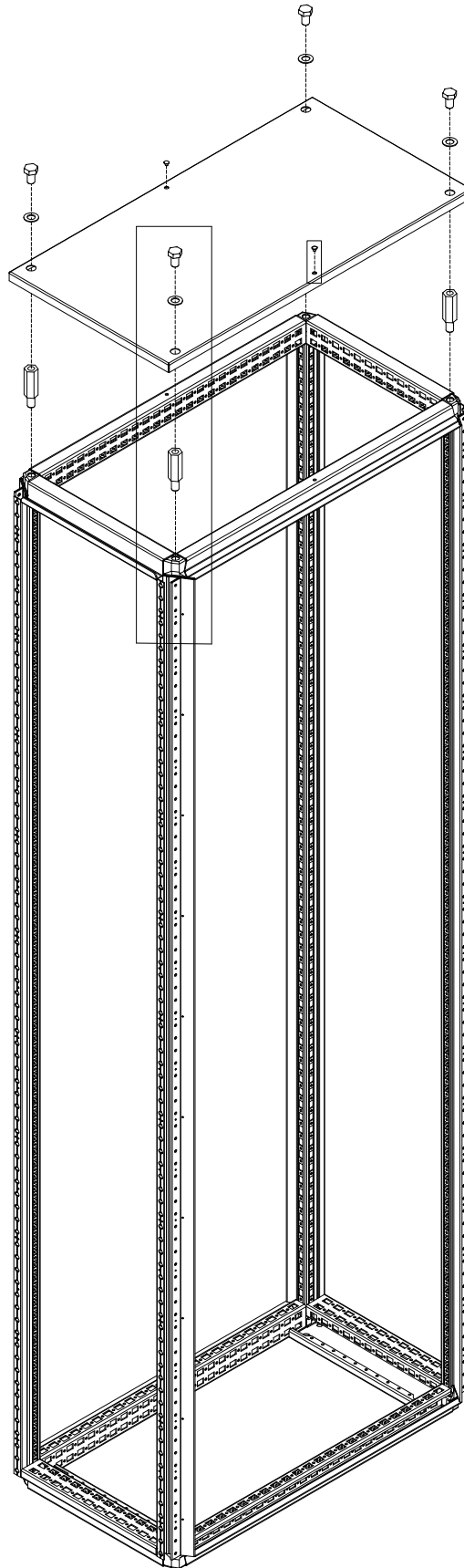
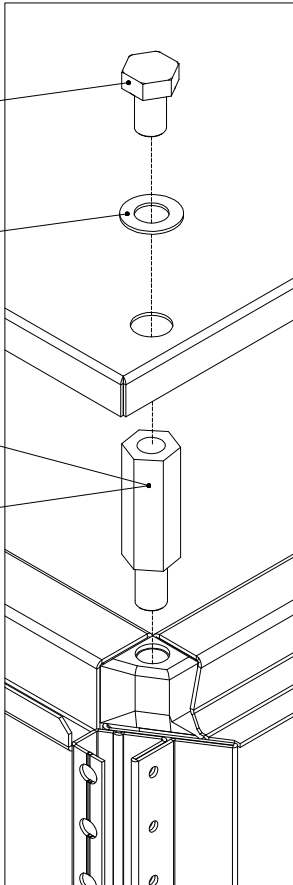
| Ref. | Pic. | Qty. |
|------|---|------|
| A |  M12 | 4 |
| B |  M12 | 4 |
| C |  | 2 |

Torque
15-20 Nm

B

A

Torque
15-20 Nm



C

