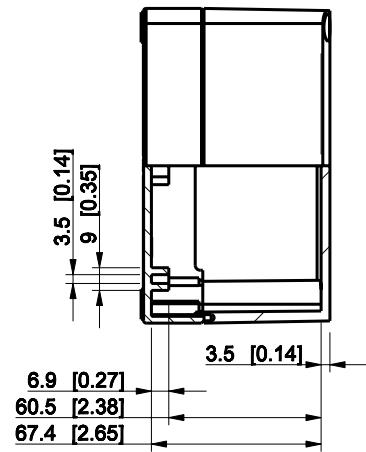
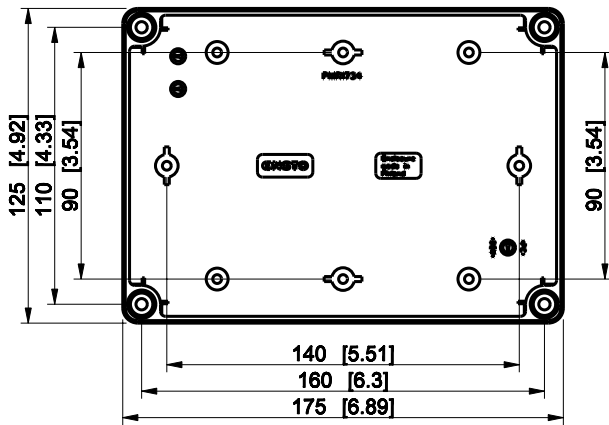
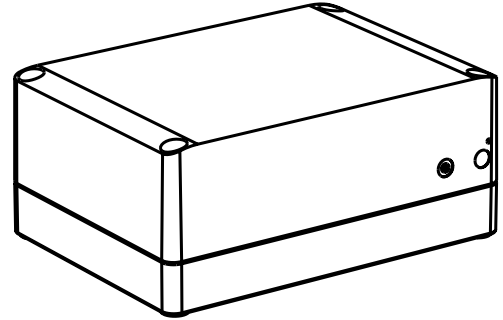
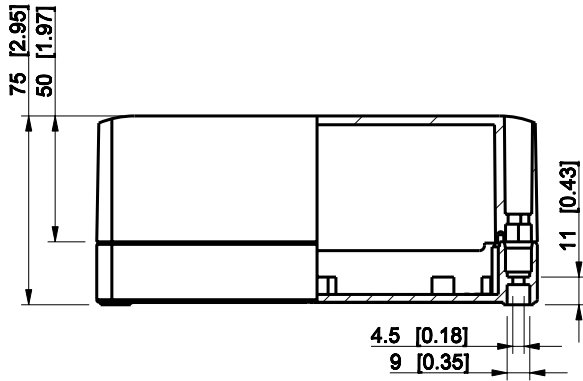


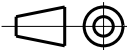
ID	Description	Date	By	Appr.
A				



Dimensions in mm [inches]

Material: ABS	Color: RAL 7035
---------------	-----------------

Supplier:	Tool No:	Weight [kg]: 0.36	Volume:
-----------	----------	-------------------	---------



SABP131808LT

Scale	Date	04.12.08
1:3	By	PKos
-	Checked	
-	Ctrl	

Replaces:
Replaced:
Drw No: - A
Ref: Cubo S
Code: SABP131808LT
Sheet No:

model SABP131808LT .PART
 drawing CUBOS_4.DRAWING