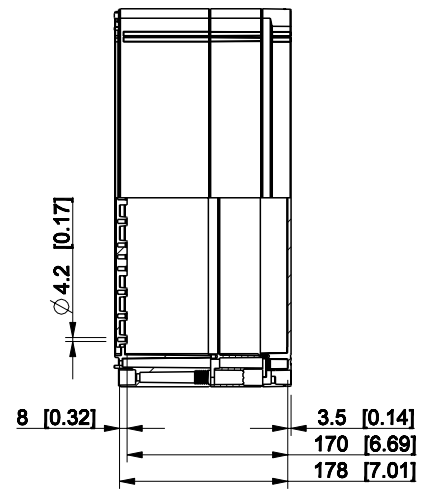
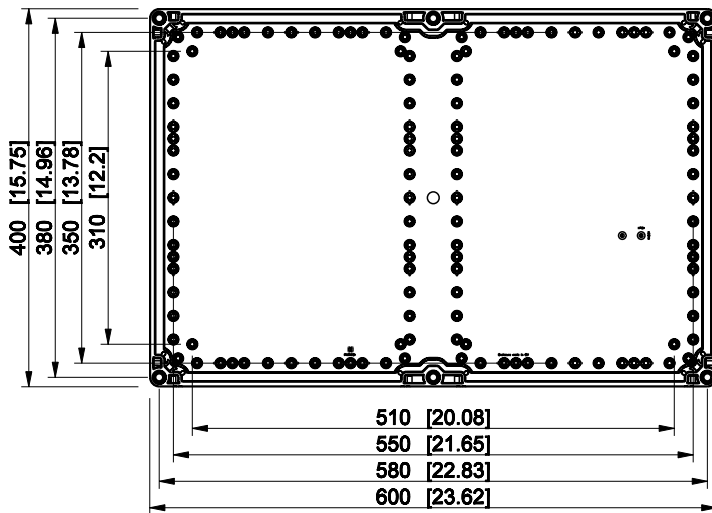
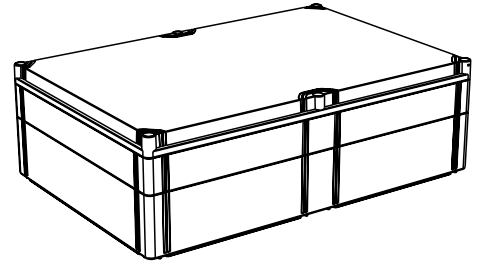
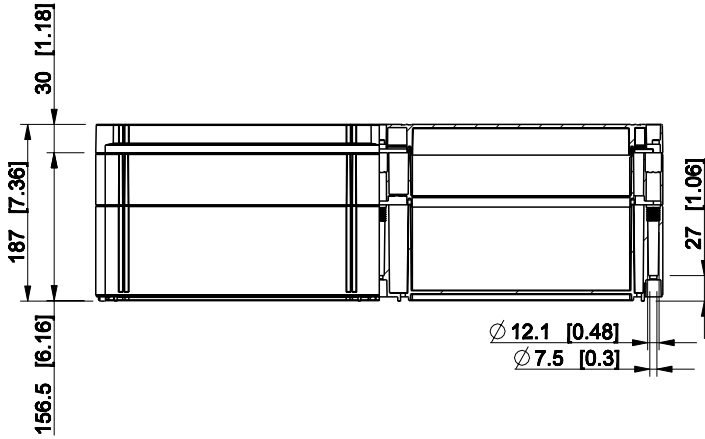


ID	Description	Date	By	Appr.
B				



Dimensions in mm [inches]

Material: Polycarbonate, fiberglass-reinforced	Color: RAL 7035
--	-----------------

Supplier:	Tool No: -	Weight [kg]: 4.52	Volume:
-----------	------------	-------------------	---------



OPCP406018T

Scale	Date	19.04.10
1:8	By	PKos
-	Checked	
-	Ctrl	

Replaces:
Replaced:
Drw No: - B
Ref: Cubo O
Code: OPCP406018T
Sheet No:

model OPCP406018T PART
drawing CUBO_O_1B.drawing