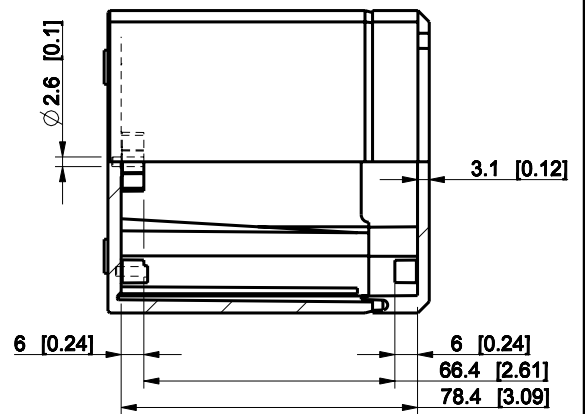
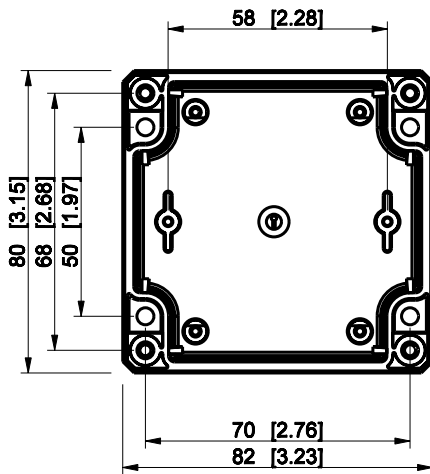
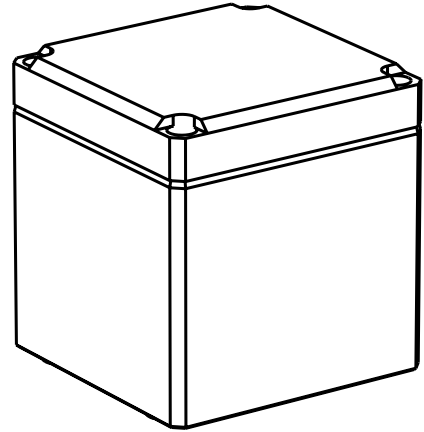
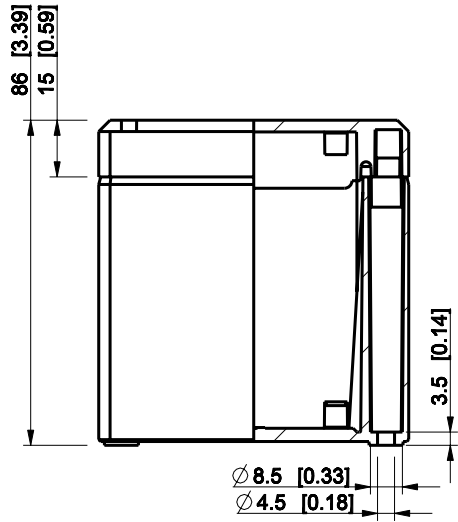


| ID | Description | Date | By | Appr. |
|----|-------------|------|----|-------|
| A | | | | |

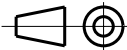


Dimensions in mm [inches]

| | |
|--|-----------------|
| Material: Polycarbonate, fiberglass-reinforced | Color: RAL 7035 |
|--|-----------------|

| | | | |
|-----------|----------|-------------------|---------|
| Supplier: | Tool No: | Weight [kg]: 0.16 | Volume: |
|-----------|----------|-------------------|---------|

ENSTO
ENSTO CONTROL



DPCP080809G

| | | |
|-------|---------|----------|
| Scale | Date | 18.12.08 |
| 1:2 | By | PKos |
| - | Checked | |
| - | Ctrl | |

| | |
|-----------|-------------|
| Replaces: | |
| Replaced: | |
| Drw No: | A |
| Ref: | - |
| Code: | DPCP080809G |
| Sheet No: | |

model DPCP080809G PART
 drawing CUBO_D_2_DRAWING