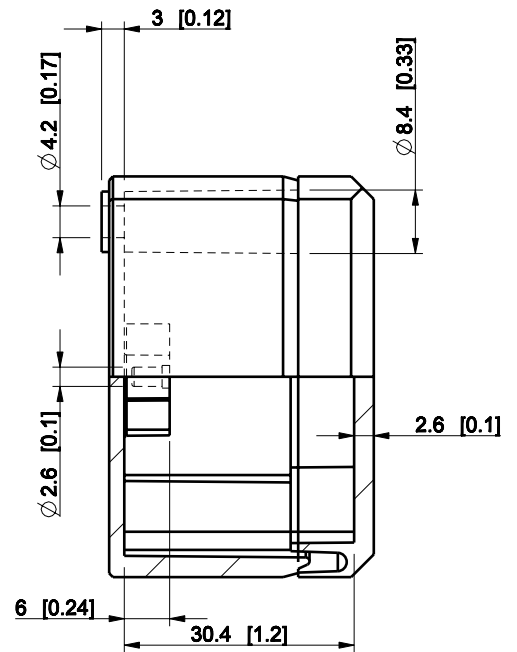
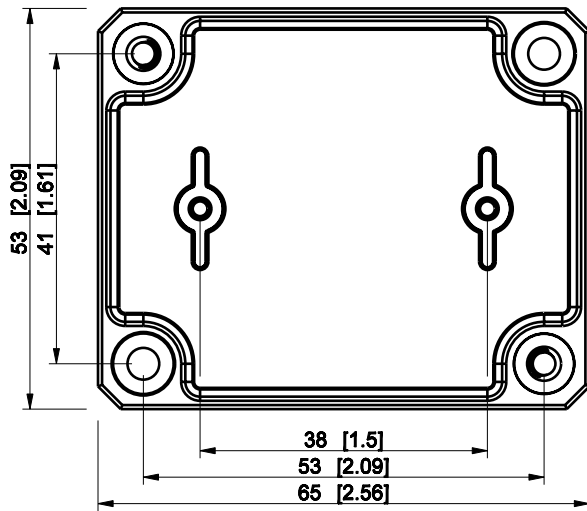
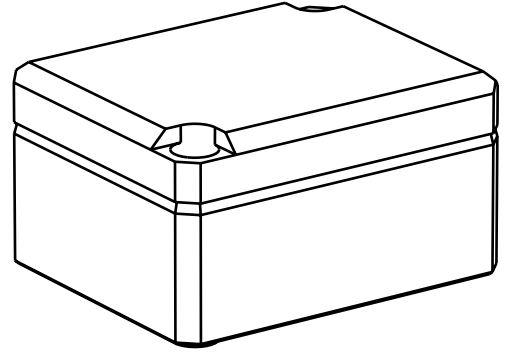
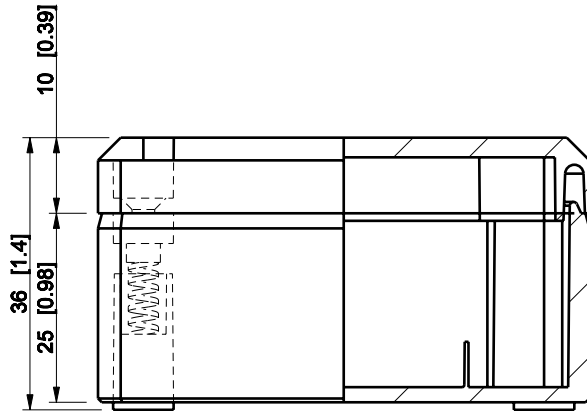


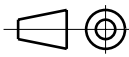
ID	Description	Date	By	Appr.
B				



Dimensions in mm [inches]

Material: Polycarbonate, fiberglass-reinforced	Color: RAL 7035
--	-----------------

Supplier:	Tool No:	Weight [kg]: 0.05	Volume:
-----------	----------	-------------------	---------



DPCP050704G

Scale	Date	02.09.11
1:1	By	PKos
-	Checked	
-	Ctrl	

Replaces:	
Replaced:	
Drw No:	B
Ref:	-
Code:	DPCP050704G
Sheet No:	

Ensto Industrial Solutions

model DPCP050704G PART
drawing CUBO_D_1_DRAWING