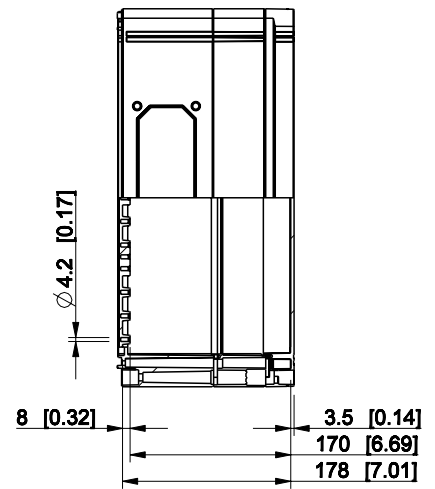
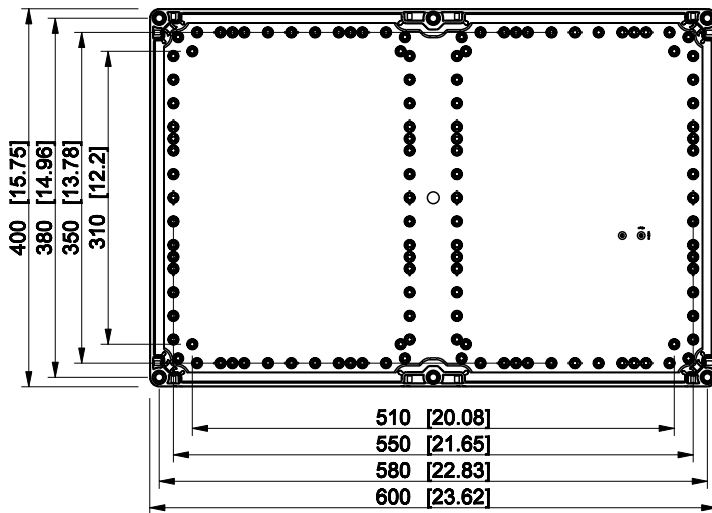
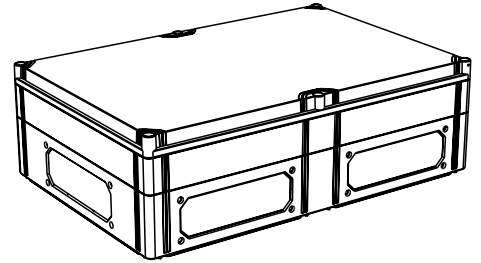
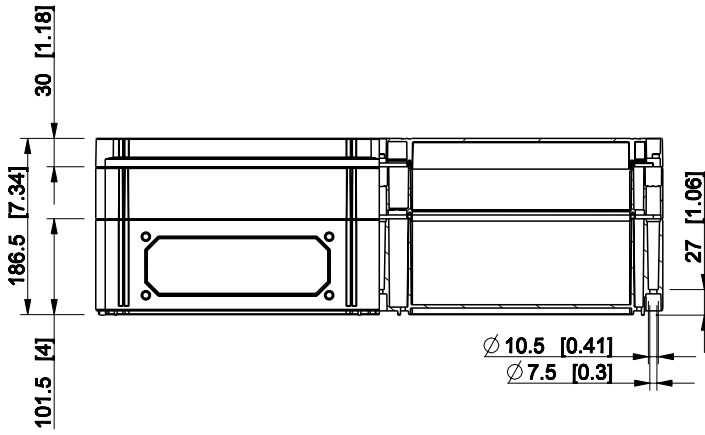


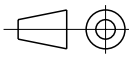
ID	Description	Date	By	Appr.
B				



Dimensions in mm [inches]

Material: Polycarbonate, fiberglass-reinforced	Color: RAL 7035
--	-----------------

Supplier:	Tool No:	Weight [kg]: 4.28	Volume:
-----------	----------	-------------------	---------



CPCF406018G

Scale	Date	19.04.10
1:8	By	PKos
-	Checked	
-	Ctrl	

Replaces:	
Replaced:	
Drw No:	- B
Ref:	Cubo C
Code:	CPCF406018G
Sheet No:	

model CPCF406018G PART
drawing CUBO_C_1B_DRAWING